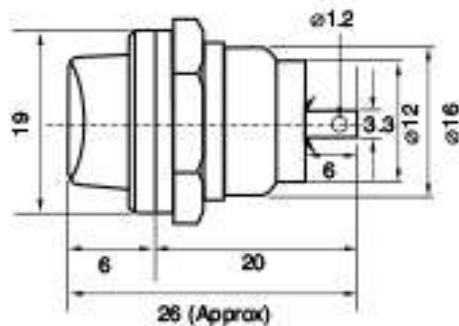


# PUSH BUTTON

SERIES :PB.16

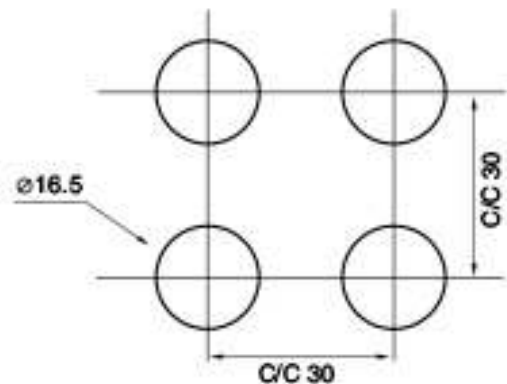
ISSUE - PIS/PB.16  
DATE : 01.07.09



## SPECIFICATIONS

MAIN HOUSING	: BRASS CHROME PLATED
TERMINAL BASE	: POLYCARBONATE
TERMINAL	: BRASS TINNED
CONNECTION	: SOLDER/ CLIP-ON
HEX NUT	: BRASS NI - PLATED
BUTTON MATERIAL	: ENGINEERING PLASTIC
BUTTON COLOUR	: RED, YELLOW, GREEN, WHITE, BLACK, BLUE
WEIGHT	: 12.5 GMS

## PANEL CUT-OUT & MIN. SPACING



ALL DIMENSIONS ARE IN MM

## ELECTRICAL RATING:

RATING : 3A 220V  
INSULATION : >1000 M $\Omega$  at 500V DC  
CONTACT RESISTANCE : 3.02 m OHMS  
CONTACTS : NORMALLY OPEN  
PRESS - TO - ON (MOMENTARY)

## ORDERING CODE

TYPE	COLOUR
PB.16	R - RED
	Y - YELLOW
	G - GREEN
	W - WHITE
	B - BLACK
	BL - BLUE

→ PB.16- R ←